



# BIKE REPAIR STATIONS

Securabike has developed a range of bicycle repair and pump stations that are suitable for end-of-journey facilities, bicycle paths or any location where cyclists gather.

They are designed to allow cyclists to position their bicycle conveniently above ground to carry out routine maintenance and repairs.

All Securabike repair stations can be fitted with the optional tool package, tool baskets and Bicycle Repair Station signage.

## Advantages

- Safely secures bicycle during repair
- Encourages regular bicycle maintenance
- Stores bicycle tools, spares and repair kits
- Frees-up work bench space

## Applications

- End-of-journey facilities
- Bicycle retailers
- Home workshops
- Universities and colleges
- Bicycle paths and tracks

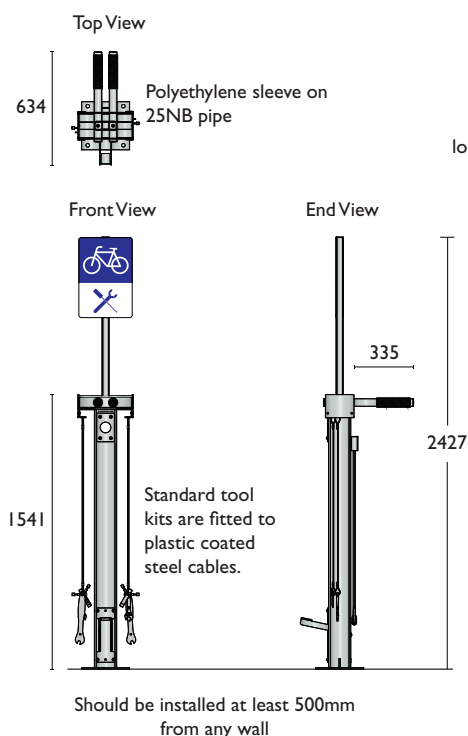


*These products do not fall under the scope of AS2890.3.*

## Repair Stations

### BBS01

**PLEASE NOTE:** This product comes in galvanised finish as standard. However, it can be powder coated in a range of colours at an additional cost to suit requirements.



Bike repair signage  
300 x 450

Suitable for both indoor and outdoor locations, it provides a sturdy repair station for servicing and maintenance.

Vandal resistant mesh cover to pressure gauge

Tool kit included

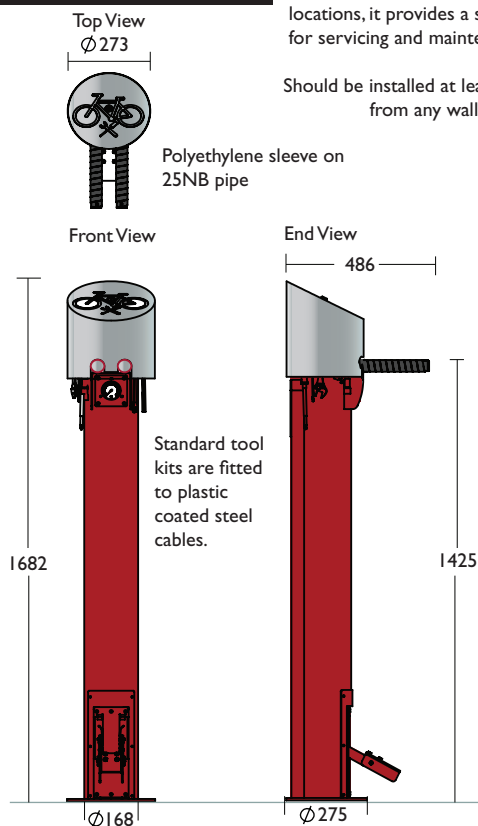
Integrated foot pump with pressure gauge fitted as standard



### BBS02

Suitable for both indoor and outdoor locations, it provides a sturdy repair station for servicing and maintenance.

Should be installed at least 500mm from any wall



Vandal resistant mesh cover to pressure gauge

Retractable tools

Integrated foot pump with pressure gauge fitted as standard

Both Presta and Schrader valves included



#### Material Specifications (General)

BBS01	120 x 120 x 2.8mm SHS / Hot dipped galvanised
BBS02	Ø168 / Ø273 Hot dipped galvanised pipe
Cable	5mm steel crimped wire rope

Introduction 1

Bicycle Facts 4

Design Guide 6

Product Selection 7

Consulting 12

Installation 13

Security Classes 14

#### PRODUCT RANGE

Rails 15

Racks 23

Repair Stations 46

End-of-Journey 50

Cages 64

Lockers 68

Shelters 74

Scooters Racks 78

Other Products 80

AS2890.3 Overview 82

Packaging 85

Index 86

**LATEST MODEL**



## Repair Stations

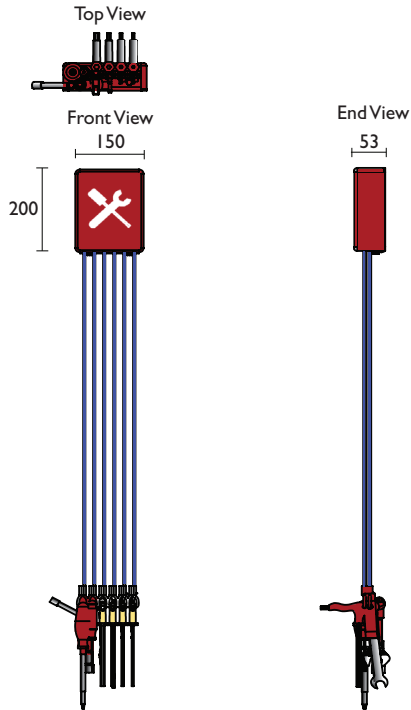
### BBS04

#### Wall Mounted

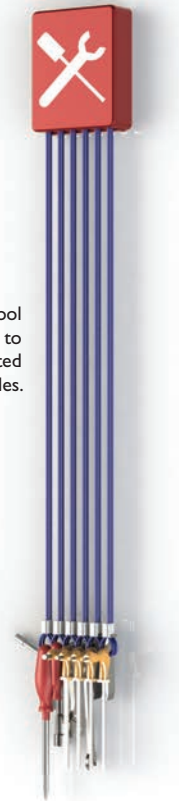
Wall mounted unit with standard bicycle repair station tools.

**PLEASE NOTE:**

*This product comes in galvanised finish as standard. However, it can be powder coated in a range of colours at an additional cost to suit requirements.*



Standard tool kits are fitted to plastic coated steel cables.



**LATEST MODEL**

Wall Mounted

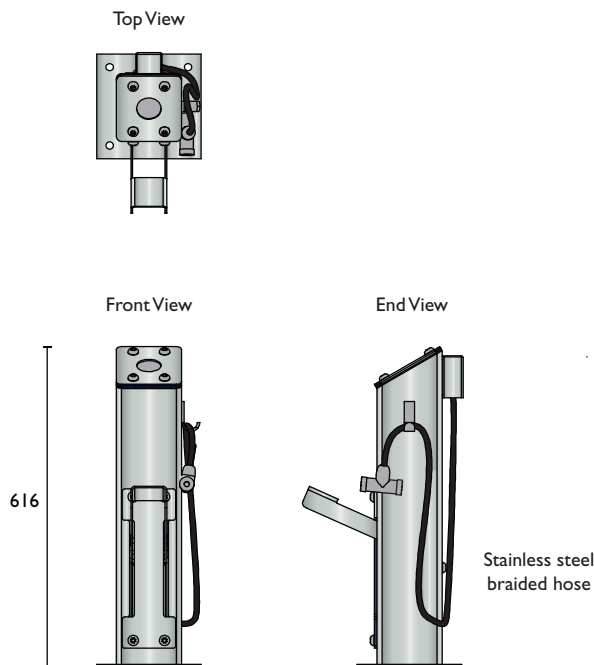
**PLEASE NOTE:**

*This product comes in galvanised finish as standard. However, it can be powder coated in a range of colours at an additional cost to suit requirements.*

### BPS01

#### Pumping Station

When installing bike repair and pump stations care should be taken to minimise potential vandalism and tampering with the equipment. Units should be installed in well lit and popular locations, use of electronic surveillance such as CCTV is strongly recommended.



Pressure gauge

Foot pedal operation

A rugged bicycle pumping station that can be installed in either indoor or outdoor locations

Both Presta and Schrader valves included



**Material Specifications (General)**

BPS01 120 x 120 x 2.8mm SHS / Hot dipped galvanised

## Repair Stations

### BRST01 Tool Kit

These are the tools normally provided and fitted to bike repair stations BBR501 and BBR502, they are also available as replacement tool kits.

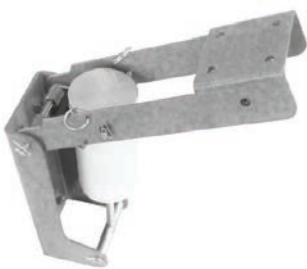


\*This tool is optional BRT16

Notes: Each tool is secured using a blue plastic-coated steel cable and crimped with an aluminium ferrule. Spare tool kits are supplied with the tool pre-attached to the security cable and crimped at both ends. Tools can be purchased separately or as a set (BRST01). Spare tools are available in full sets to replace vandalised or stolen tools.

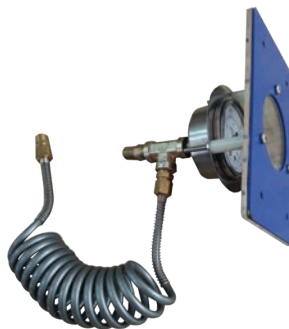
Optional high security and vandal resistant tool sets available using 5mm galvanised chain.

### BRPA02 Foot Pump Assembly



Industrial grade foot pump supported by a frame. It is located within the main structure to protect it from vandalism.

### BRPG03 Pressure Gauge Assembly



Oil filled pressure gauge with steel plate frame and impact-resistant polycarbonate screen.

### BRHP Hose Pump Assembly



Stainless steel braided hose, fitted with Presta and Schrader valves

### BRVA Dual Valve Only

