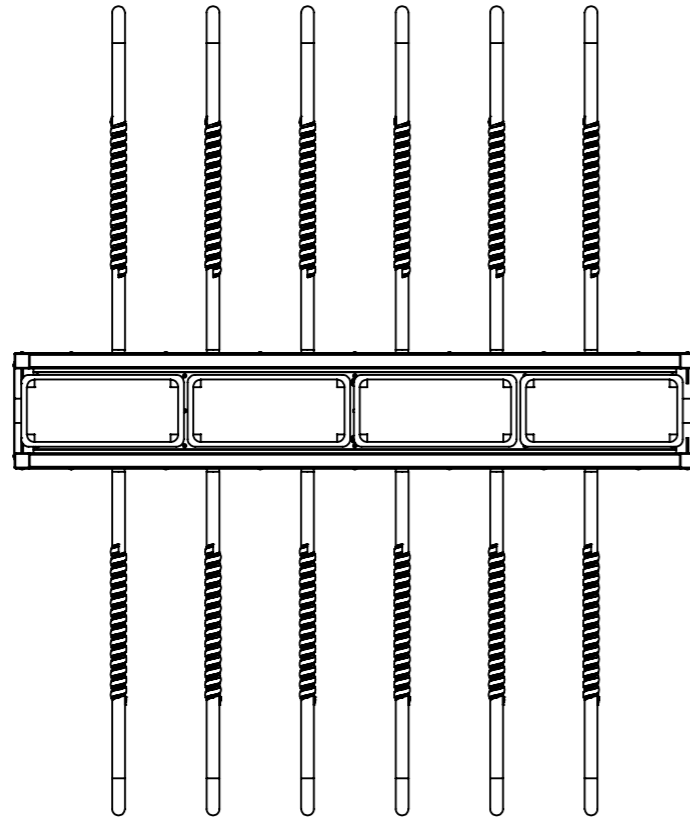
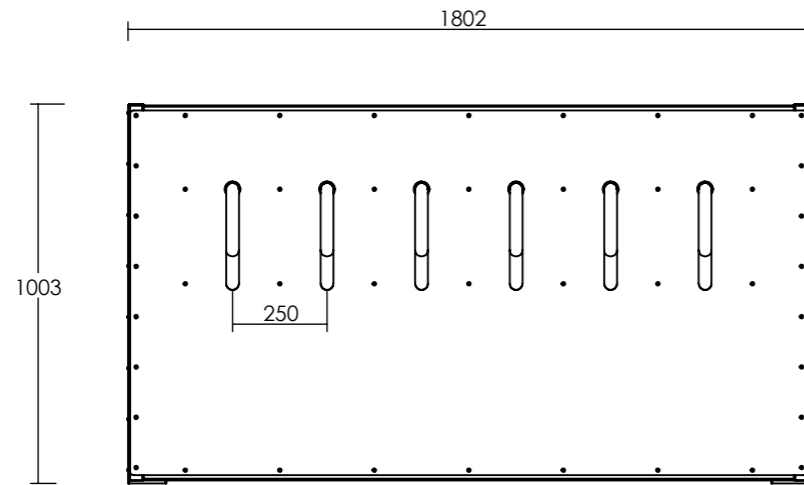


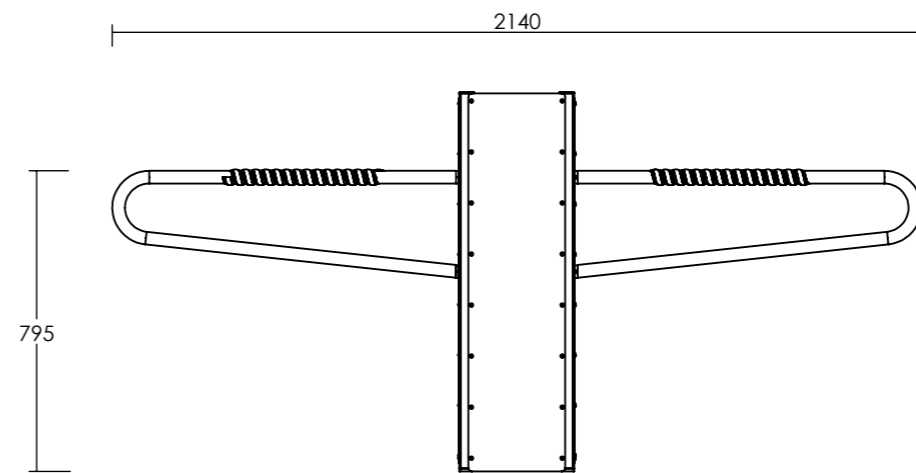
Top View



Front View



Side View



MATERIAL DESCRIPTION: MS				WEIGHT: kg	
FINISH: GALVANIZED / POWDERCOATED		SW FILE: BRP02-Isometric Drawing			
SCALE: 1:50 AT A3		ANGULAR TOLERANCES			
LINEAL TOLERANCES		THIRD ANGLE PROJECTION			
1.0 to 250 ± 0.2	250 to 500 ± 0.5	500 to 1000 ± 1.0	1000 to 5000 ± 2.5	± 0.5°	



HEAD OFFICE: 18 Reliance Drive, Tuggerah NSW 2258  
 Phone +61 2 4353 3377 - Fax +61 2 4353 2255 - Email lvsales@l-v.com.au  
 © COPYRIGHT 2015 - ALL INTELLECTUAL PROPERTY RIGHTS RESERVED

ISSUED FOR: MANUFACTURE		DRAWN BY: HUI CHEN	
JOB No. -	CLIENT/SITE: -	APPROVED BY: -	
MODEL DESCRIPTION: BRP02 ASSM			
ITEM: LS80757	REV: D1 INDEX: -	DRAWING DATE: 2017/3/15	SHEET: 1 OF 1