



BIKE SHELTERS



When providing bicycle parking at outside locations, consideration should be given to also providing protection against the elements, particularly in locations where the bicycles are parked long-term.

Securabike's aesthetically attractive range provides the flexibility of several price options and can accommodate a number of various Securabike bicycle rack models. Guttering and downpipes are non-standard but can be added as an option.

Advantages

- Protects bicycle from the elements
- Protects cyclist during arrival and departure
- Best suited for long-term parking
- Clearly defines the bicycle parking area
- Aesthetically attractive
- Shelter for up to 32 bicycles per module

Note.

These products do not fall under the scope of AS2890.3.

Applications

- University and colleges
- Schools
- Bus interchanges
- Workplaces
- Shopping centres



Note.

While the popular CBR4SC bicycle rack has been displayed throughout the Shelter range, alternative bicycle rack models can be used. Please check with your nearest Securabike sales office to confirm suitable models.

Bicycle Shelters

Product Range

1300 780 450

BSS04

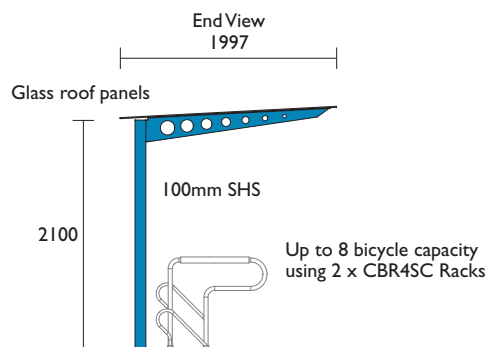
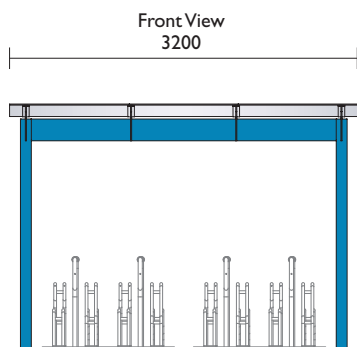
CBR4SC bicycle racks displayed throughout the *Shelter* range, please check with your Securabike office for other suitable racks.

Structural steel support frame

Polycarbonate roof panels



CBR4SC Racks displayed



BSD04

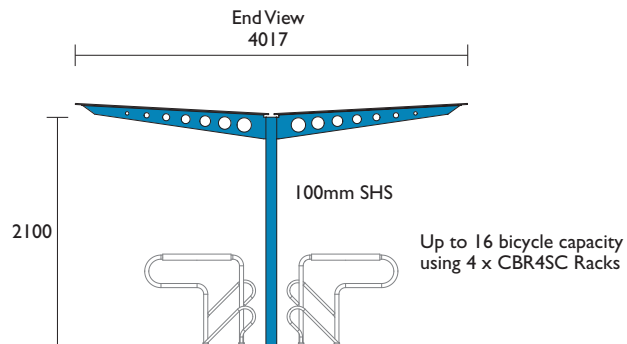
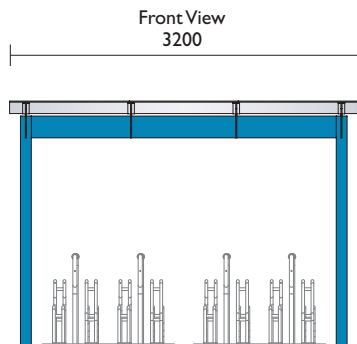
CBR4SC bicycle racks displayed throughout the *Shelter* range, please check with your Securabike office for other suitable racks.

Structural steel support frame

Polycarbonate roof panels



CBR4SC Racks displayed



Material Specifications (General)

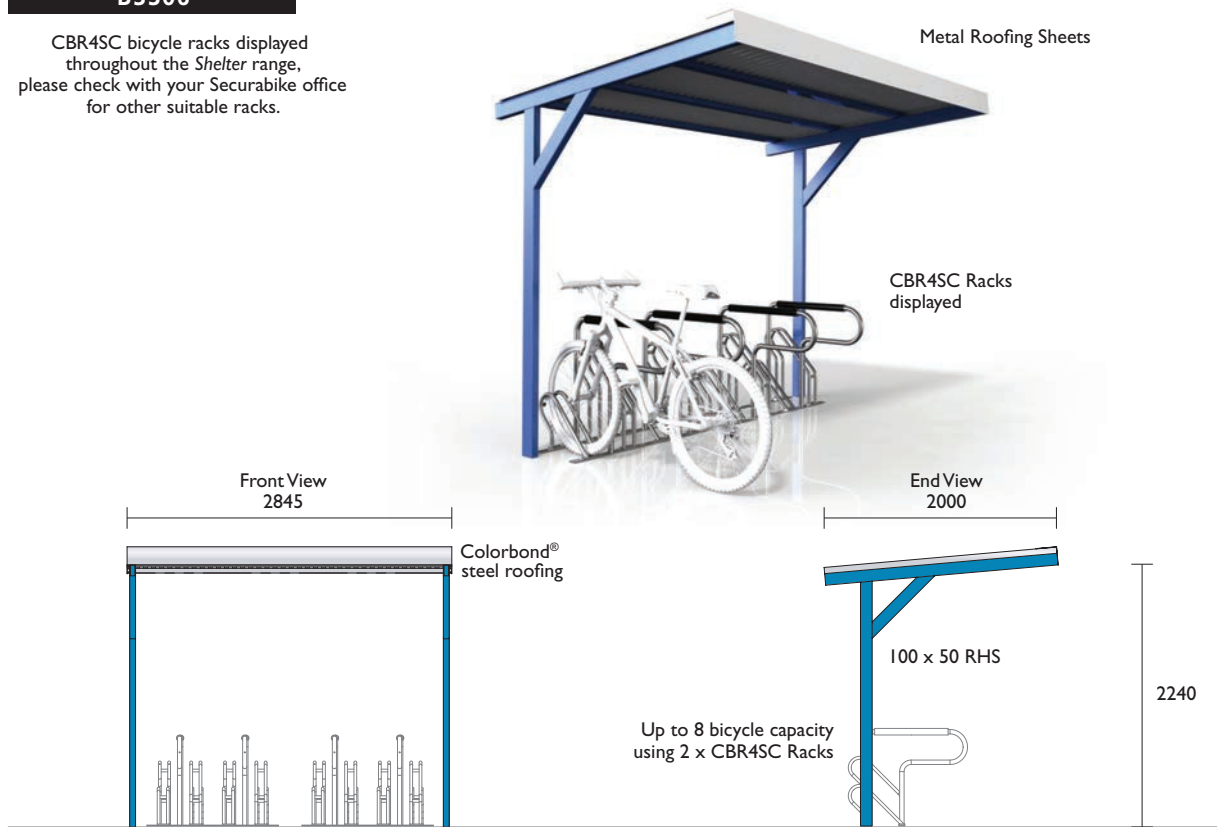
Frame 200 x 100mm U Section / 100 x 100mm SHS / Galvanised
Roof Panels Polycarbonate roof panels

Introduction	1
Bicycle Facts	4
Design Guide	6
Product Selection	7
Consulting	12
Installation	13
Security Classes	14
PRODUCT RANGE	
Rails	15
Racks	23
Repair Stations	46
End-of-Journey	50
Cages	64
Lockers	68
Shelters	74
Scooters Racks	78
Other Products	80
AS2890.3 Overview	82
Packaging	85
Index	86

Bicycle Shelters

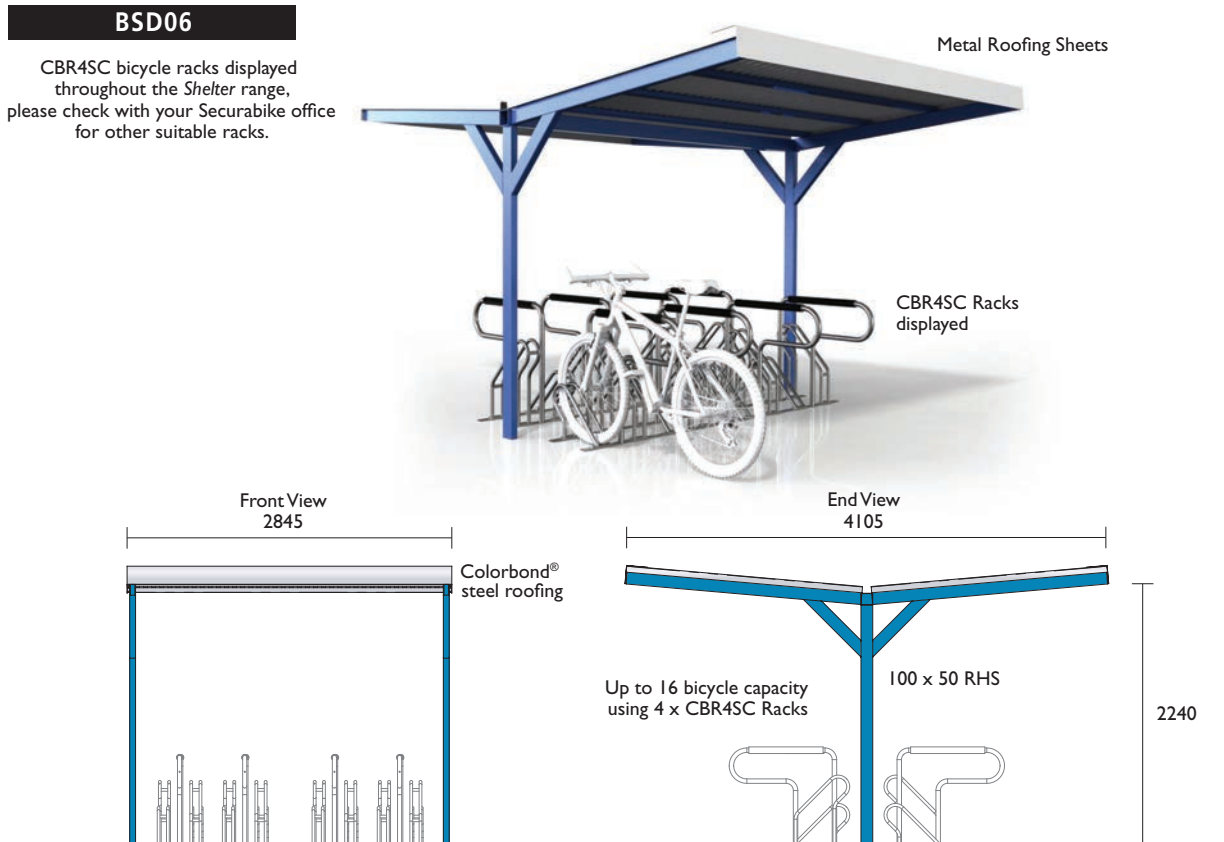
BSS06

CBR4SC bicycle racks displayed throughout the Shelter range, please check with your Securabike office for other suitable racks.



BSD06

CBR4SC bicycle racks displayed throughout the Shelter range, please check with your Securabike office for other suitable racks.



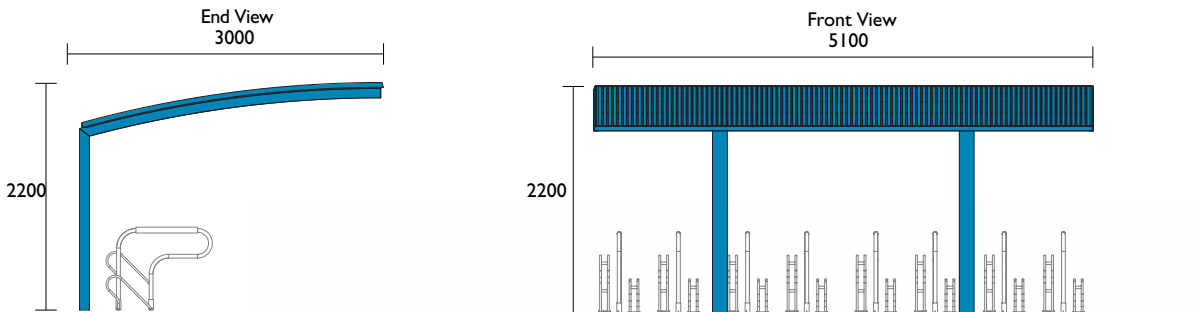
Material Specifications (General)

Frame 100 x 50 x 2.5mm RHS / Galvanised
 Roof Colorbond® roofing sheet

Bicycle Shelters

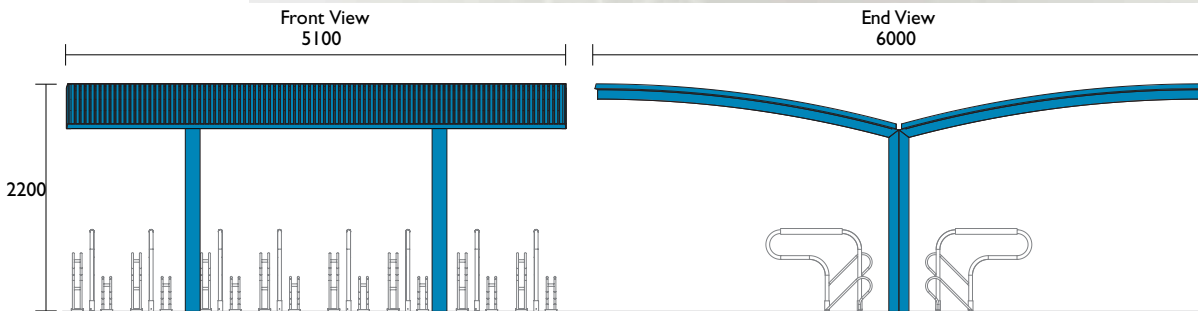
BSS10

	Length	Width
BSS101	5100	3000
BSS102	5100	2000
BSS103	2900	2000



BSS11

	Length	Width
BSS111	5100	6000
BSS112	5100	4000
BSS113	2900	4000



Material Specifications (General)

Frame Aluminium alloy
 Roof Frosted polycarbonate. UV resistant. High impact resistant. Up to 20cm snow. Temperature rating -30°C to +60°C